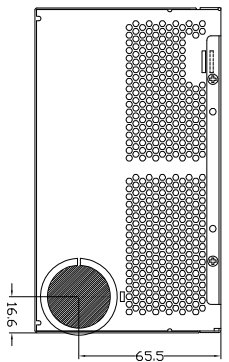
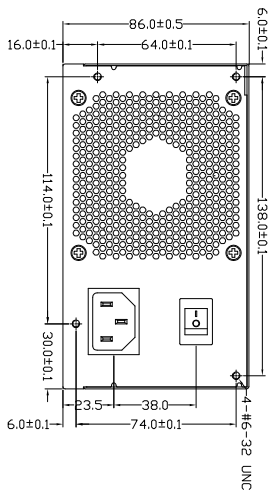
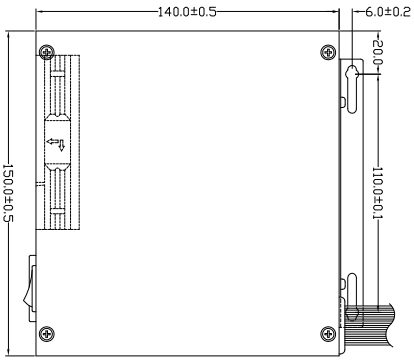


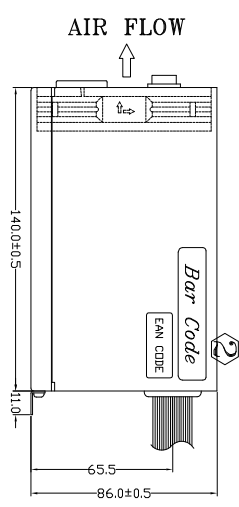
增加 EAN CODE



REF. ID.	NO.	SIGNAL	WIRE COLOR	GAUGE	CONNECTOR TYPE	CABLE LENGTH
PA	1	+12V3	Yel./Blue	18	WST	
PA	2	COM	BLACK	18	P4-A10202Z or EQUIV.	600±20mm
PC	4	+5V	RED	18	WST	
PC	1	+12V3	Yel./Blue	18	WST	
PC	2	COM	BLACK	18	P4-A10202Z or EQUIV.	150±10mm
PD	1	+5V	RED	22	AMP	
PD	2	+5V	RED	22	AMP	
PD	3	COM	BLACK	22	171822-4 or EQUIV.	150±10mm
PD	4	+3.3VDC	Yel./Blue	22	171822-4 or EQUIV.	150±10mm
PG	1	+3.3VDC	ORANGE	18	MOLEX SP-0011	600±20mm
PG	2	COM	BLACK	18	MOLEX SP-0011 or EQUIV.	600±20mm
PG	3	+5V	RED	18	MOLEX SP-0011 or EQUIV.	600±20mm
PH	1	+3.3VDC	ORANGE	18	MOLEX SP-67582	150±10mm
PH	2	COM	BLACK	18	MOLEX SP-67582	150±10mm
PH	3	+5V	RED	18	MOLEX SP-67582	150±10mm
PJ	4	COM	BLACK	18	or EQUIV.	
PJ	5	+12V3	Yel./Blue	18	or EQUIV.	



REF. ID.	NO.	SIGNAL	WIRE COLOR	GAUGE	CONNECTOR TYPE	CABLE LENGTH
P1	1	+3.3VDC	ORANGE	18	WST	
P1	2	+3.3VDC	ORANGE	18	P30-14202K18Z-# or EQUIV.	600±20mm
P1	3	COM	BLACK	18	P30-14202K18Z-# or EQUIV.	600±20mm
P1	4	+5VDC	RED	18	P30-14202K18Z-# or EQUIV.	600±20mm
P1	5	COM	BLACK	18	or EQUIV.	
P1	6	+5VDC	RED	18	or EQUIV.	
P1	7	COM	BLACK	18	or EQUIV.	
P1	8	PW-ON	GRAY	22	or EQUIV.	
P1	9	+5V8B	PURPLE	18	or EQUIV.	
P1	10	+12V3	Yel./Blue	18	or EQUIV.	
P1	11	+12V3	Yel./Blue	18	or EQUIV.	
P1	12	+3.3VDC	ORANGE	18	or EQUIV.	
P1	13	+3.3VDC	ORANGE	22	or EQUIV.	
P1	14	+3.3VDC	BROWN	22	or EQUIV.	
P1	15	-12VDC	BLUE	22	or EQUIV.	
P1	16	COM	BLACK	22	or EQUIV.	
P1	17	PS-ON	GREEN	22	or EQUIV.	
P1	18	COM	BLACK	18	or EQUIV.	
P1	19	COM	BLACK	18	or EQUIV.	
P1	20	-5V	WHITE	22	or EQUIV.	
P1	21	+5VDC	RED	18	or EQUIV.	
P1	22	+5VDC	RED	18	or EQUIV.	
P1	23	+5VDC	RED	18	or EQUIV.	
P1	24	COM	BLACK	18	or EQUIV.	
P2	1	COM	BLACK	18	WST	
P2	2	COM	BLACK	18	WST	
P2	3	COM	BLACK	18	WST	
P2	4	COM	BLACK	18	WST	
P2	5	+12V1	YELLOW	18	WST	
P2	6	+12V1	YELLOW	18	WST	
P2	7	+12V1	YELLOW	18	WST	
P2	8	+12V1	YELLOW	18	WST	
P2	9	COM	BLACK	18	WST	
P2	10	COM	BLACK	18	WST	
P2	11	COM	BLACK	18	WST	
P2	12	COM	BLACK	18	WST	
P2	13	COM	BLACK	18	WST	
P2	14	COM	BLACK	18	WST	
P2	15	COM	BLACK	18	WST	
P2	16	COM	BLACK	18	WST	
P2	17	COM	BLACK	18	WST	
P2	18	COM	BLACK	18	WST	
P2	19	COM	BLACK	18	WST	
P2	20	COM	BLACK	18	WST	
P2	21	COM	BLACK	18	WST	
P2	22	COM	BLACK	18	WST	
P2	23	COM	BLACK	18	WST	
P2	24	COM	BLACK	18	WST	
P3	1	COM	BLACK	18	MOLEX 39-01-20445	600±20mm
P3	2	COM	BLACK	18	MOLEX 39-01-20445	600±20mm
P3	3	+12V1	YELLOW	18	MOLEX 39-01-20445	600±20mm
P3	4	+12V1	YELLOW	18	MOLEX 39-01-20445	600±20mm
P3	5	COM	BLACK	18	MOLEX 39-01-20445	600±20mm
P3	6	COM	BLACK	18	MOLEX 39-01-20445	600±20mm
P3	7	COM	BLACK	18	MOLEX 39-01-20445	600±20mm
P3	8	COM	BLACK	18	MOLEX 39-01-20445	600±20mm
P3	9	COM	BLACK	18	MOLEX 39-01-20445	600±20mm
P3	10	COM	BLACK	18	MOLEX 39-01-20445	600±20mm



NOTE:  
1. ALL THE LENGTH OF OUTPUT WIRES EXCLUDE HOUSING.

UNIT:mm

MODEL NO. : FSP700-80PSA(SK)(F660001) TITLE: ASSY SHEET: 1 OF 1 REV:02

R&D(2)

PE

DRAWN

DATE

黄淑芳 JUL.16.2018

INTERIOR COUNTERSIGN:

P/N:9PA7007801