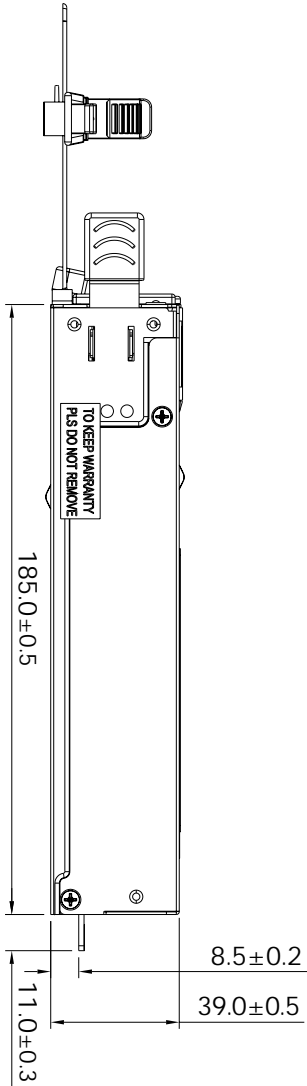
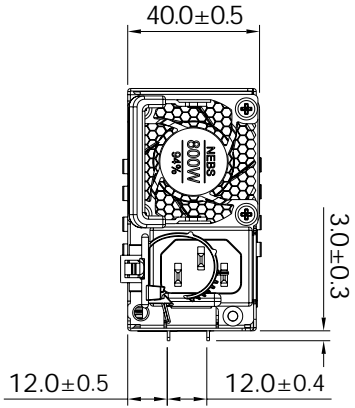
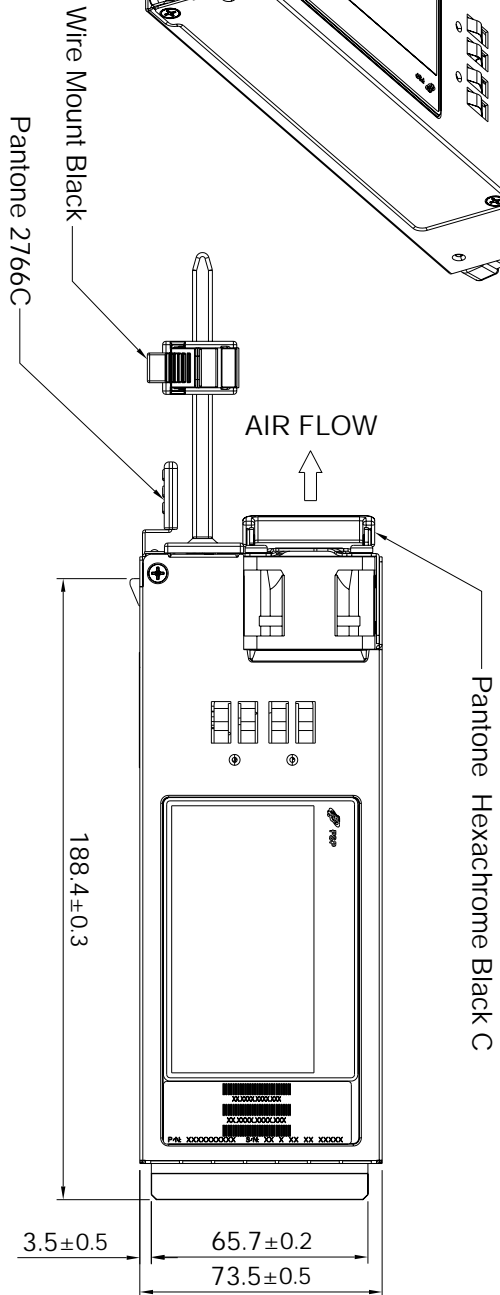
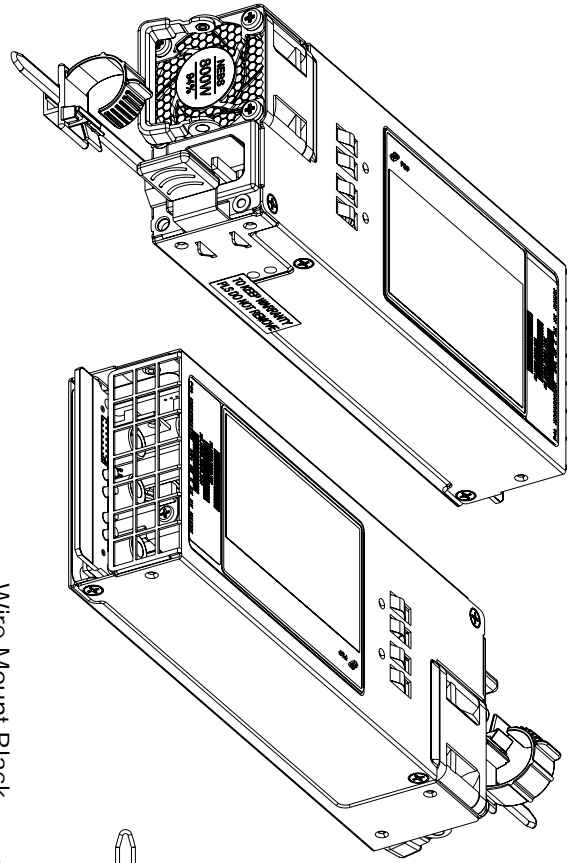


# MECHANICAL DRAWING



Date:2023-03-24 14:38



P/N.:9PA8002800

MODEL NO.:FSP800-20FN(STD0001)		TITLE:ASSY		SHEET:1 OF 1	REV:01
RD12	PE	DRAWN	Joe	DATE	Mar.22.2023

Note:  
黑色塑膠線扣出貨時,不須組裝,依生產注意事項放入指定包材位置.